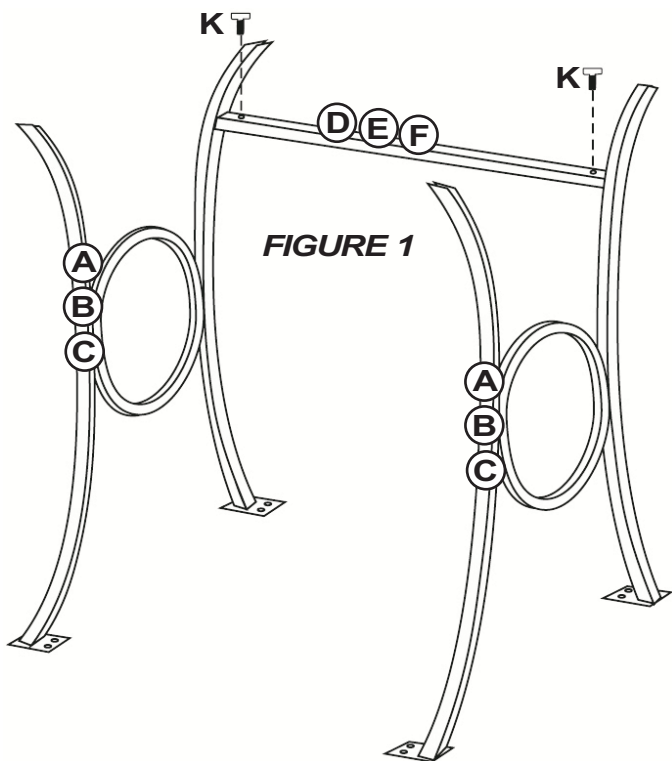


Examine all packaging material for small parts that may have come loose during shipment. Periodic checks are recommended to insure that all components are in proper position, tight and free from damage. Keep this assembly instruction for future reference. Adult assembly required. Online Parts Request: [parts.request@hillsdalefurniture.com](mailto:parts.request@hillsdalefurniture.com) - Customer Service Phone Number: 502-562-0000

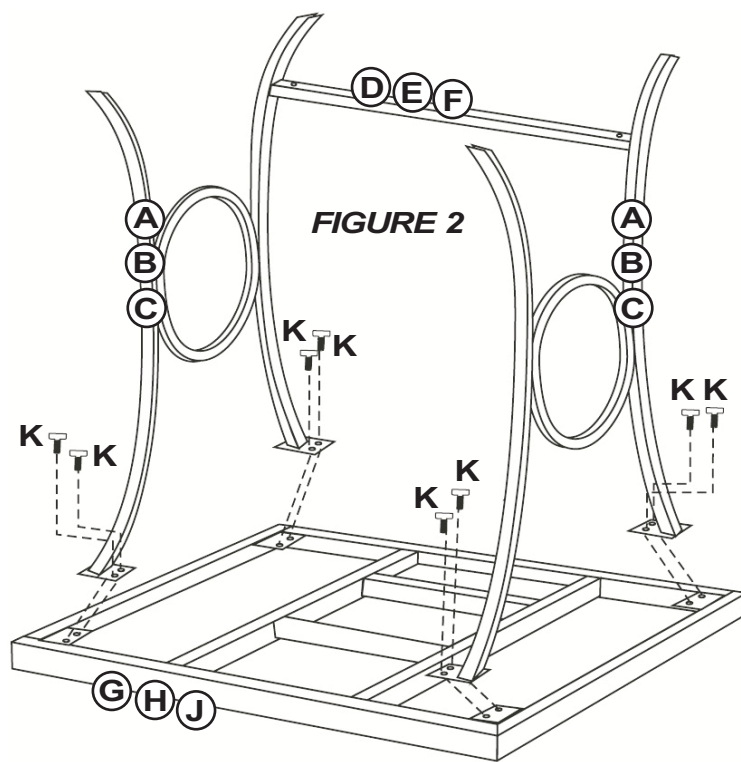
**PARTS LIST**

**HARDWARE LIST**

- |                          |                                |
|--------------------------|--------------------------------|
| A (2) Small Leg Panels   | K (30) 1/4" x 12mm Allen Bolts |
| B (2) Medium Leg Panels  | L (1) Allen Wrench             |
| C (2) Large Leg Panels   |                                |
| D (1) Small Metal Brace  |                                |
| E (1) Medium Metal Brace |                                |
| F (1) Large Metal Brace  |                                |
| G (1) Small Table Top    |                                |
| H (1) Medium Table Top   |                                |
| J (1) Large Table Top    |                                |



**FIGURE 1**



**FIGURE 2**

**STEP 1**

Begin assembly by first attaching each Small Metal Brace (D) to each Small Leg Panel (A) using 1 Allen Bolt (K) per each end. Do not fully tighten bolts. See Figure 1.

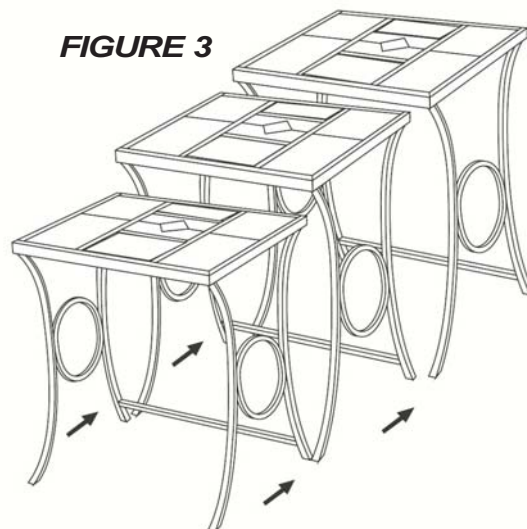
**STEP 2**

Attach each Small Leg Panel (A) to Small Table Top (G) using 2 Allen Bolts (K) per each leg. Tighten all bolts using the Allen Wrench (L) provided. See Figure 2.

**STEP 3**

Repeat Steps 1 & 2 for both Medium and Large Tables. Once assembly is complete, you can nest your tables. See Figure 3.

**FIGURE 3**



**CARE & MAINTENANCE:** The touch of a soft cloth is all the maintenance the finish will ever need. Please do not use harsh or abrasive cleaners for polishing, as they may cause damage to the finish. Periodic checks are recommended to make sure that all bolts, screws and nuts are securely tightened.